



**PCORE**  
ELECTRIC

KV CLASS 34.5 kV BIL 200 kV Uy 22 kV

CURRENT RATING

1200 AMP DRAW LEAD CONNECTION

DWG.	CATALOG NUMBER	GLAZE COLOR
SD	B-89312-258	BROWN
SD	B-89312-258-70	LT. GRAY

TITLE

PRC BUSHING

HORIZONTAL/VERTICAL MOUNTING  
2.81 [71.4] LONGER BELOW FLANGE

DATE	REV. DATE
1-13-10	

MAXIMUM ALTITUDE	10000 ft [3000 m]
------------------	-------------------

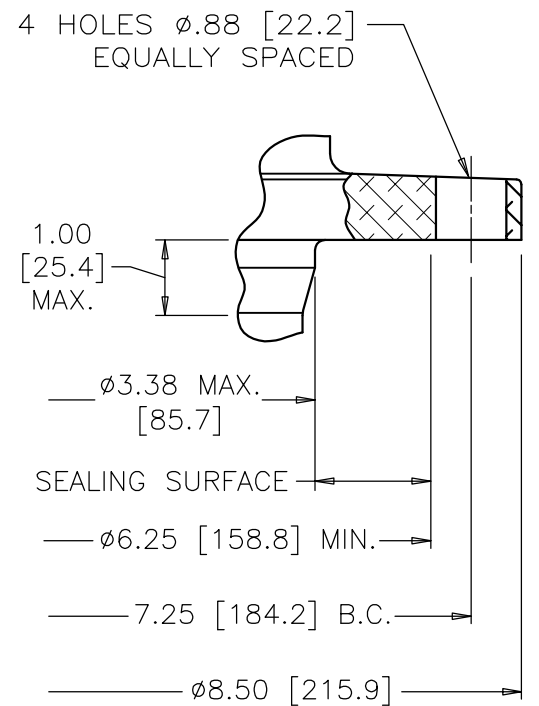
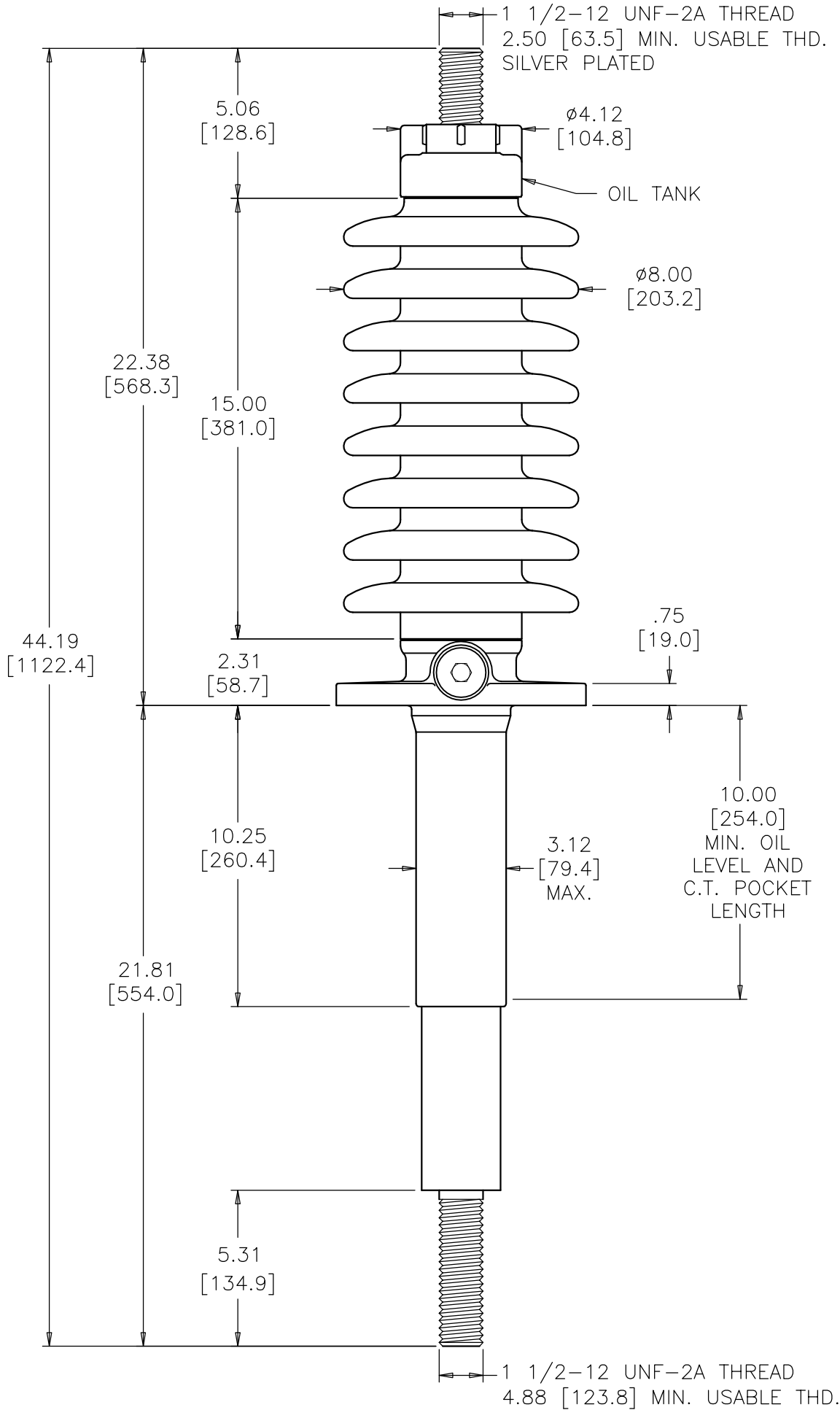
NET WEIGHT	76 lb [34 kg]
------------	---------------

ANGLE OF INCLINATION FROM THE VERTICAL	0° TO 90°
--	-----------

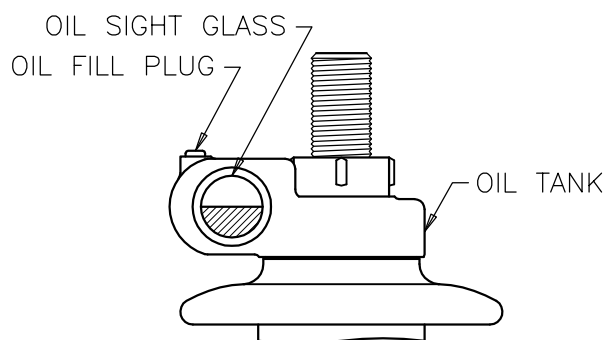
MIN. CREEP	41.00 [1041.4]	MIN. STRIKE	15.00 [381.0]
------------	----------------	-------------	---------------

CREEP/Uy	1.86 [47.3]	STD.	IEEE C57.19.00/01
----------	-------------	------	-------------------

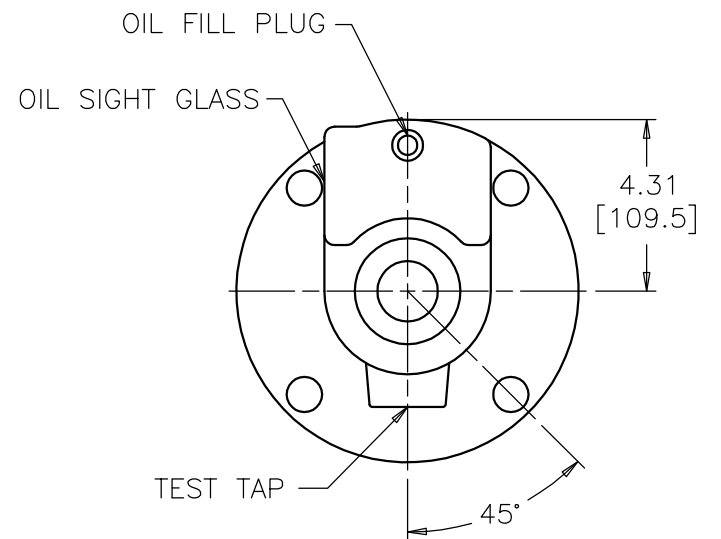
PCB CONTENT OF OIL IS LESS THAN 1 ppm



**MOUNTING FLANGE DETAIL**



**OIL TANK DETAIL SIDE VIEW**



**FLANGE ALIGNMENT DIAGRAM TOP VIEW**

DIMENSIONS IN INCHES [MILLIMETERS]

REVISION

SCALE 1/5

NOTE TO PURCHASER:  
ALL SALES OF PCORE PRODUCTS ARE SUBJECT TO OUR STANDARD TERMS AND CONDITIONS AND THE LIMITED WARRANTIES THEREUNDER